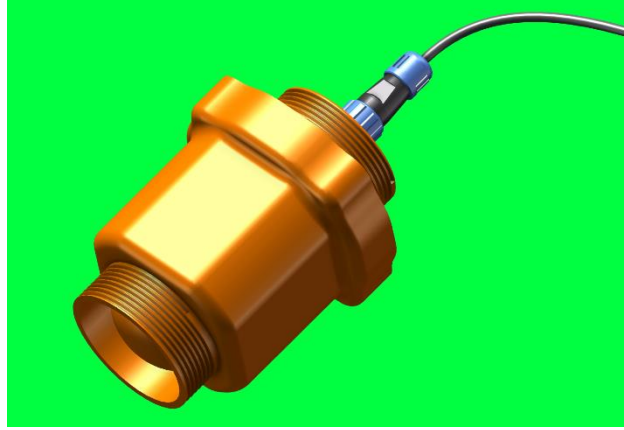


## 80 GHz Smallest & Cheapest Level Radar Gauges

### Features

- Smart features designed to make life easy
- Communicate via Bluetooth wireless technology
- Advanced diagnostics and Smart Meter Verification
- Versatile FMCW radar for application flexibility
- Industrial design concept, the appearance of the product fits  
In natural environment



### Applications

- Non-contacting radar technology is ideal for a wide range of the liquid applications as it is maintenance-free, has a top-down installation that reduces the risk of leakages.
- Water treatment and sewage treatment measurements, river reservoir water level measurement.

### Specifications

NO.	SPECIFICATION	PROCESS SEGMENT
1	APPLICATIONS	Liquid / Solid (not recommended)
2	MEASURING PRINCIPLE	80 GHz., W-band, FMCW
3	ACCURACY	± 2mm or better
4	RANGE	Liquid: Up to 18m / Solids: Up to 8m
5	KEYBOARD + DISPLAY	NO
6	DEAD ZONE	< 60mm
7	BEAM ANGLE	< 6.5°
8	OUTPUT	2 Wire 4-20 mA
9	PROCESS CONNECTION	G2" / NPT
10	PROCESS PRESSURE	-0.3 ~ 0.3 MPa
11	PROCESS TEMPERATURE	-40° to 80°C
12	POWER SUPPLY	12 to 30 VDC
13	BLUETOOTH 5.0 FEATURE	(RadarMobileManager) Required with Mobile App
14	IP RATING	IP 68

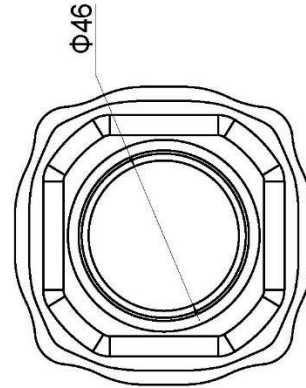
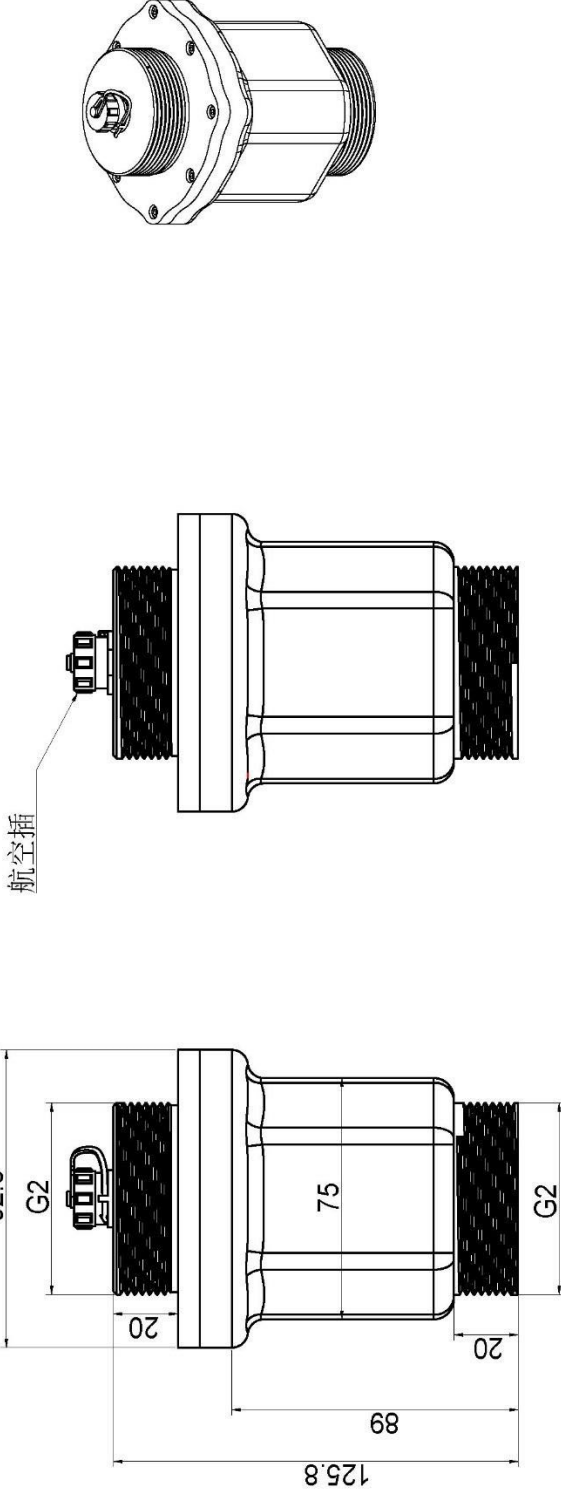
SERVICE CONTACT: 90-2324338880, (AFTER SALE SERVICE)

ALTHOUGH WE HAVE RECONCILED THE CONTENTS OF THE MANUAL WITH DESCRIPTION OF INSTRUMENT, THERE MAY STILL BE CHANGES WE CANNOT ENSURE THAT IT IS FULLY CONSISTENT. THE CONTENT WILL BE CHECKED AND CORRECTED IN AN ORDERLY, AND THE ERRATA WILL BE IN SUBSEQUENT RELEASES. WE WELCOME USERS TO MAKE VARIOUS SUGGESTIONS FOR IMPROVEMENT. [TECHNICAL DATA SUBJECT TO CHANGE]

**PKS-RDR-018 Products Dimensions in millimeters**

REV	DESCRIPTION	DATE	DWN	APVD
A	1st edition release.	2018-01-11		

1.6



PIKSEL ÖLÇÜ AKIŞKAN KONTROL OTOMASYON SİST.  
 SAN. VE TİC. LTD. ŞTİ.

TITLE	
PROJECT/PRODUCT	PKS-RDR-018
PART NAME	TBD
PART NO.	5692-046-000
DRG NO.	
REF SCH	N/A
REF PCB	N/A
FILE	5692-046-000RA
MATERIAL	PDPF
QTY	1
DIMENSIONS	mm
SCALE	1:1
REV	A
SHEET	1 OF 1
SIZE	A3

Doc Ver 3.0

For more information contact your regional sales representative. [info@pikselotomasyon.com](mailto:info@pikselotomasyon.com)  
<https://www.pikselotomasyon.com/>



NOTE: For this Doc., Piksel Otomasyon Ltd. Şti. is continue to improve and upgrade its products and services, thus, the file information will be covered by changing, without prior notice, nor as promised Piksel Otomasyon Ltd. Şti. In addition, the product user manual already includes safe use of warnings. Therefore, if there is any misuse or cause of any event, Piksel Otomasyon Ltd. Şti. will not take any responsibility. Piksel Otomasyon Ltd. Şti. hereby guarantees that its products are not defective in materials and workmanship and are in complete conformity with the above disclaimer.